



HIGH-END,  
PREMIUM  
QUALITY

# BTF801

## FLAT SCREEN TV STAND WITH ROUND BASE

Part of B-Tech's Cantabria range of premium AV furniture, the BTF801 has a modern, stylish aesthetic quality that is ideally suited to high-end residential or commercial applications. Manufactured in Europe, this flat screen TV stand is produced to a very high standard and features a rotating interface with integrated cable management for a neat and tidy installation.

### SPECIFICATION

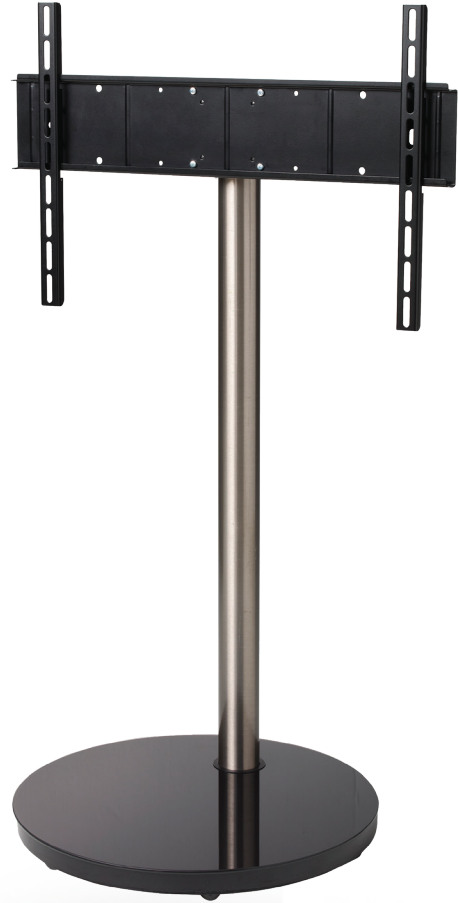
Recommended screen size	up to 55"
Max load	30kg
VESA® & non-VESA fixings	up to 600 x 400mm
Swivel	60°
Dimensions	W: 500mm* H: 975mm** D: 500mm

### FEATURES

- Stainless steel finish
- Integrated cable management for a neat and tidy installation
- Tempered glass base toughened to BS6206A standard

\* Width of base

\*\* To the centre of the mount



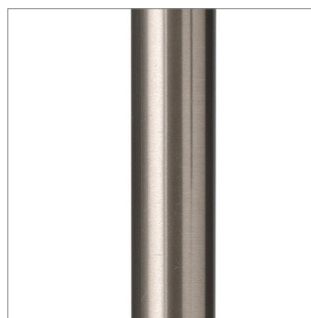
Cantabria



Swivel adjustment up to 60°



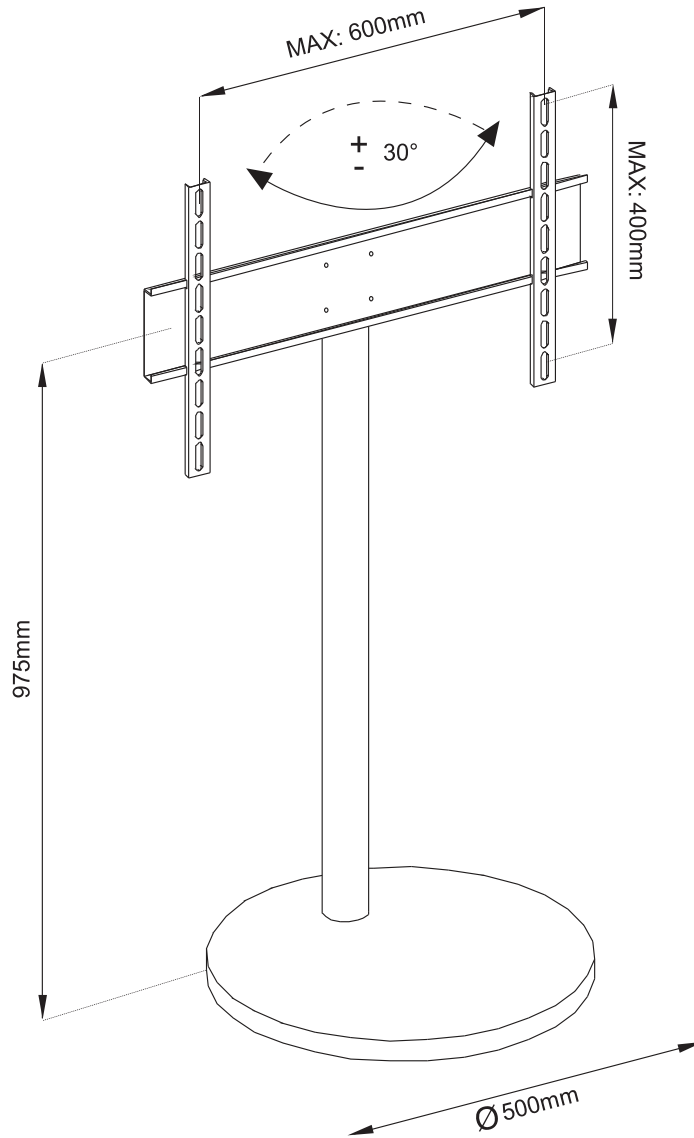
Tempered glass base



Stainless steel finish



Optional BT7167 Accessory Shelf



**PACKING INFORMATION**

COLOUR:	ORDER REF:	EAN CODE:	MASTER CARTON QTY:	INNER CARTON QTY:	MASTER CARTON WEIGHT:	MASTER CARTON CUBE:
Black	BTF801/BS	5019318651021	1	0	15.11kg	0.091cbm

**SIMILAR PRODUCTS TO THE BTF801**



**Flat Screen TV Cabinet with Glass Top - 1637mm**

**Flat Screen TV Cabinet with Glass Top - 1805mm**

**Flat Screen TV Stand with Square Base**

**Flat Screen Display Stand with Shelf**

© 2016 B-Tech Professional Limited. All rights reserved. The information in this specification is current technical specifications at the time of print. We reserve the right to change the technical or physical specifications without prior notice. This B-Tech name and logo technology are registered trademarks of B-Tech International Ltd. B-Tech accepts no liability for loss or damage caused by improper or negligent installation, use, or modification of the product. Any reproduction or transmission or publication of any part of this specification is expressly prohibited unless prior written permission has been granted by B-Tech International Ltd. (BTL).

SS-BTF801-V2-210720